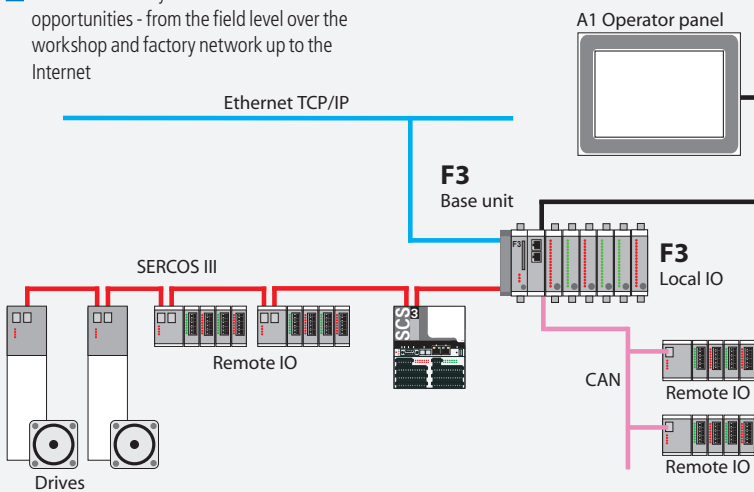


SERCOS
interface



F3 Programmable Automation Controller

F3 offers a variety of communication opportunities - from the field level over the workshop and factory network up to the Internet



- PC based Control & Visualization
- Intel®-Atom™-CPU
- SERCOS III Realtime Ethernet
- Local & Remote IOs
- IEC-61131 & Motion

F3 is a Programmable Automation Controller (PAC). It combines the features and capabilities of a PC based control system with that of a typical PLC and motion control.

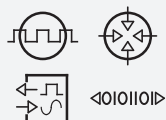
„High Performance – Low Power – Low Cost“ are the maxim of the F3 device family with Intel®-Atom™-CPU. The low power consumption of the CPU enables operation with passive cooling at extrem compact dimensions and low system cost.

In spite of the compact enclosure the F3 base unit offers all interfaces known from the PC technology like Ethernet and USB. Operator panels are connected over DVI/VGA or via the Automata Panel Interface, a solution to transmit video, touch, USB and power over a single cable.

The integrated IO bus allows the local or remote connection of F3 IO modules. For high sophisticated applications a SERCOS III master interface is available. 512 KB NVRAM and a CAN interface complement the list of important features for the application of the F3 as a automation controller.

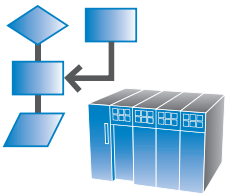
The F3 base unit is programmed with CoDeSys in IEC-61131, as operating system Windows® CE is used. Other operating systems are available on demand.

The F3 local IO bus allows an easy and flexible expansion with IOs. This means modularity at compact dimensions and low system cost.



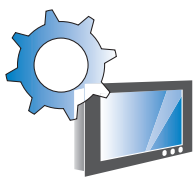
Technical Information		F3 - Programmable Automation Controller
CPU		Intel® Atom™ Z5XX 1.1 or 1.6 GHz
Memory		max. 1 GB system RAM, 512 kB NVRAM (w/o battery/accu)
Ports	Serial	1 x RS232/RS422/RS485 (configuration over DIP switch)
	USB	1 x USB over type A connector, 1 x USB over DVI connector
	Ethernet	1 x Gigabit Ethernet
	Kbd/Mouse	over USB
	Video	1 x DVI/VGA or 1 x Automata Panel-Interface (MD)
Mass storage	CF	256 MB (other sizes on demand), accessible from front side
Field buses		SERCOS III (Realtime Ethernet), CAN
Local and remote IOs		Digital: 16DI/16DO 0.5A, 4DI/4DO 2A, Analog: 2AO, 2AI, 2Pt100/3TC, max. 15 local IO modules
Dimension	H x D x W	2 slot base unit: 99mm x 115mm x 60mm, 3 slot base unit 99mm x 115mm x 80mm, IO module : 99mm x 115mm x 22mm
Power supply		24VDC
Cooling		passive
Enclosure		plastic
Mounting		DIN rail
Operation temperature		0° C ~ +55° C
Protection class		IP20
Operation systems		Windows® CE, Windows® Embedded, Linux (others on demand)
Software		CoDeSys IEC-61131 and CoDeSys Target-Visualization (others on demand)
Certifications		CE

Automata Product Overview



Controls

- compact and modular controls for decentral and central system architectures
- IEC 61131-3 programmable
- Motion Control
- CAN, SERCOS II/III, Profibus, Ethernet



Industrial PCs and Operator Panels

- fanless
- scalable performance
- different shapes
- different operating systems
- SoftPLC & SCADA software



SERCOS products Realtime Ethernet

- SERCOS hardware components and boards
- Master and slave driver software
- Control and IO systems
- Development, consulting, training



Customized solutions

We adapt our standards to your needs. As partner of the medium-sized machine building industry we are working exactly according to your needs. Not more and not less!



FLTECH

Fenglin Technologies Ltd
Room 1305, No. 1, Lane 1139
Pu Dong Avenue, Shanghai
200135 China

Tel. +86 (0) 21 6247 4478

Fax +86 (0)21 5093 3892

eMail: roy.shen@fltech.com.cn

www.fltech.com.cn